



D07 - 18/18A

Mass Flow Controller D07 Series

Features

High performance elastomer sealed MFC with advanced analog electronics.

- Drop-in replacement for most standard MFCs
- CE Mark compliant
- Ten years of production experience



Applications

Mass flow controllers accurately measure and control mass flow. They are widely applied in the manufacturing of semiconductors, petrochemicals, pharmaceuticals, gases and optical fibers, as well as in the vacuum deposition, metallurgy, analytical instrumentation and gas distribution industries.

Calibration

MFCs are calibrated with Nitrogen

Reference Standards....Standard temperature - 273.15K
Standard pressure - 101325 Pa

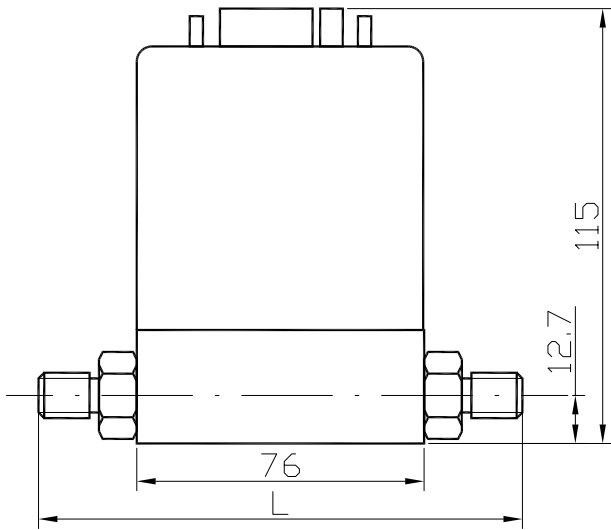
Input and Output

Input voltage required.....50mA@+ 15V / 200mA@- 15V
Analog flow output signal.....0-5 VDC

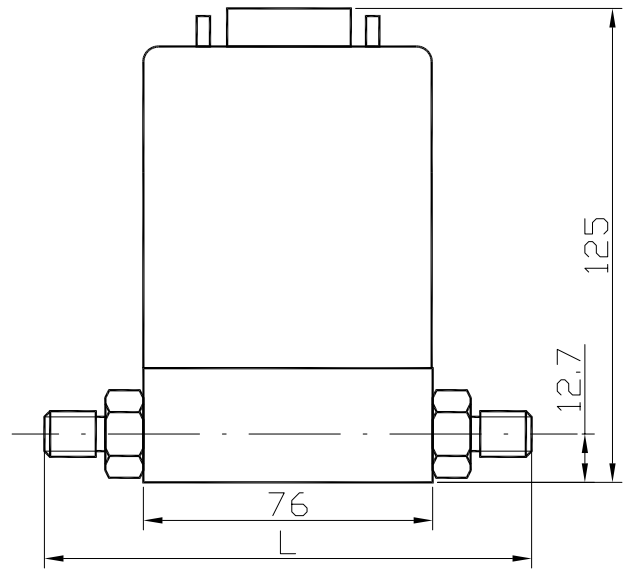
Specifications

Full scale flow range (N₂ equivalent).....10 sccm-5 slm
Control range.....2% - 100%
Valve type.....Electromagnetic
Valve rest position.....Normally Closed
Accuracy.....± 1% F.S.
Linearity.....± 1% F.S.
Repeatability.....± 0.2% F.S.
Step response time.....1-4 sec
Operating temperature.....5-45°C, Non-condensing
Differential pressure.....100-480 KPa (14-70 psid)
Max inlet pressure.....2,750 KPa (400 psig)
Leak integrity.....< 1×10⁻⁸ sccs He
Wetted materials.....SS316L, Viton, Silicone Rubber, NBR
Static seals.....Viton, Silicone Rubber, NBR
Dynamic seals.....Viton, Silicone Rubber, NBR, Teflon
Fitting options.....
VCR.....1/4" Male
Swagelok.....1/4" and 6 mm
Weight.....0.85 Kg

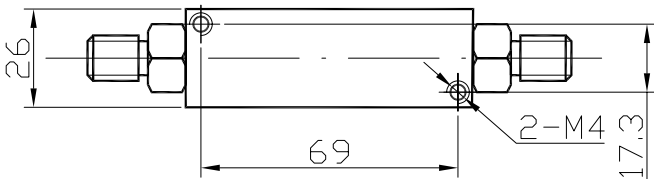
Dimensions



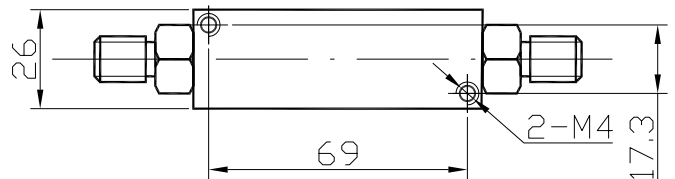
L: Swagelok 127 mm
VCR 124 mm



L: Swagelok 127 mm
VCR 124 mm



Dimensions of the D07-18

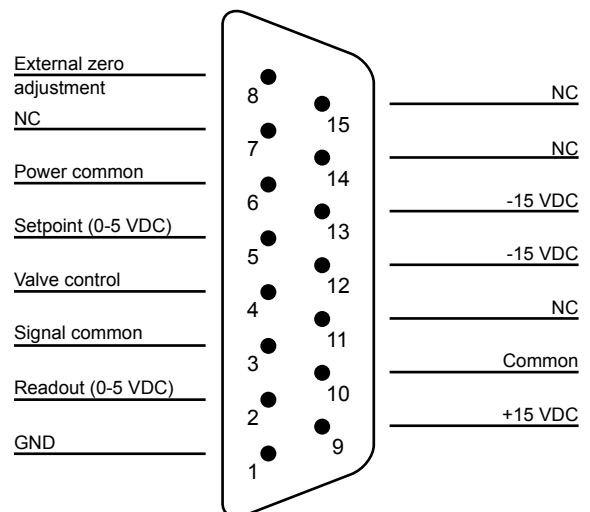


Dimensions of the D07-18A

Pinout configuration

GND	1	A	Setpoint (0-5 VDC)
Power common	2	B	Signal common
Readout (0-5 VDC)	3	C	Common
+15 VDC	4	D	Valve test point
External zero adjustment	5	E	NC
NC	6	F	-15 VDC
NC	8	H	NC
NC	9	I	NC
Common	10	J	Valve OFF

D07-18 connector
20-pin, type "Golden finger"



D07-18A connector
15-pin, type "D", male