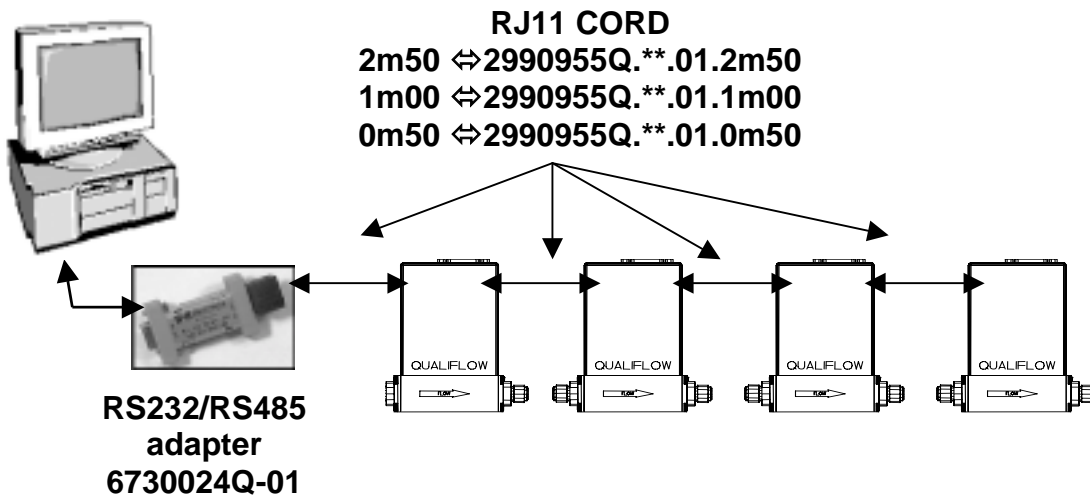




MFC Accessories

RS485 / MODBUS Interface



RS485/MODBUS accessories

Features

- When connecting several Digital MFC to a computer :
- RS232/RS485 converter, PN 6730024Q-01
 - RJ11-RJ11 cable 2m50, PN 2990955Q.**.01.2m50
 - MFC Power supply for 4 MFCs (+/- 15V), PN 6730025Q-01

RS485/MODBUS option for Digital MFC's all series

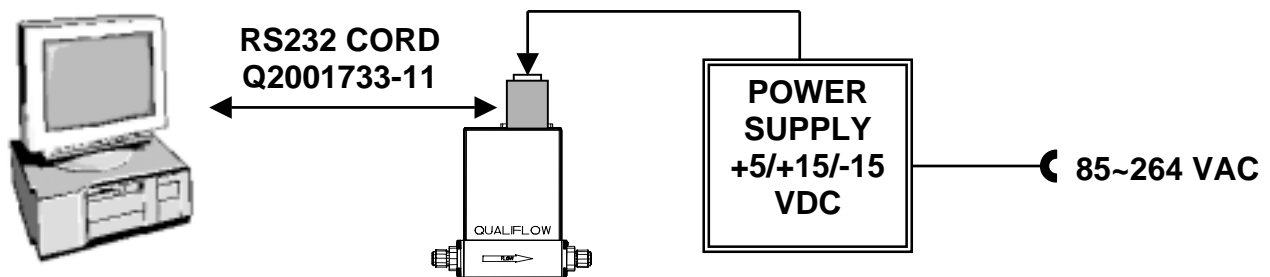
Features

- RS485 PC board (plugged into the MFC), P/N Q2001733-16.
- Advanced software Digisoft (Microsoft Windows 95, 98, NT).

Part number

See MFC Part Number

RS232C Interface - 1 MFC



RS232C & Power Supply kit for Qualiflow Digital MFC's all series

Features

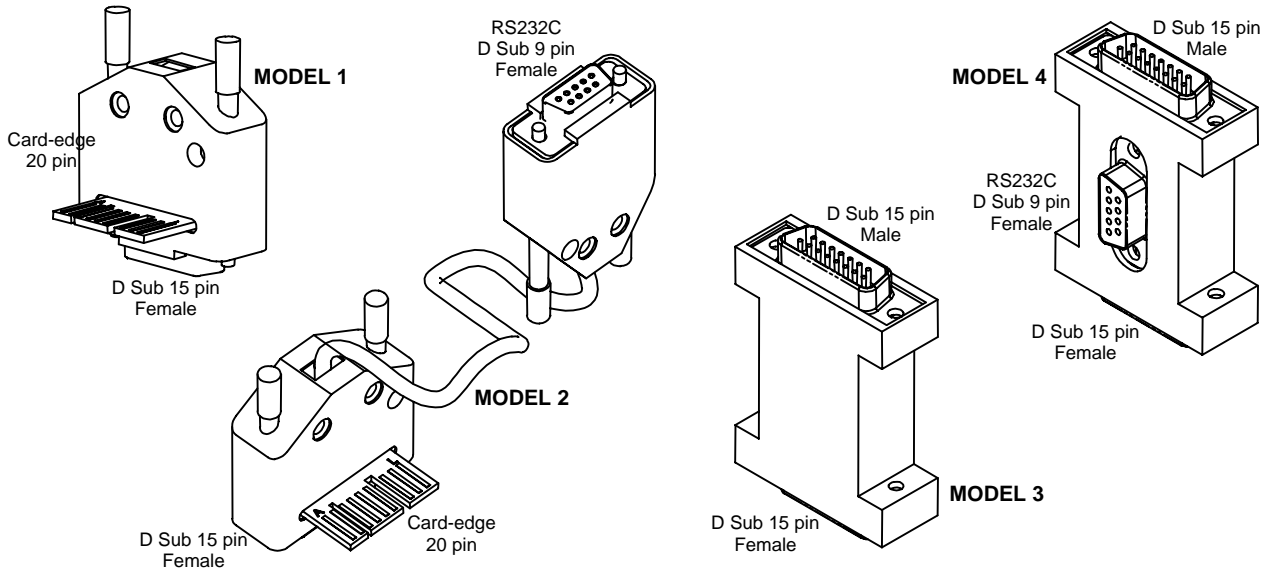
- When connecting individually a Digital MFC to a computer, use this interface kit. It includes :
- connector conversion adapter, P/N Q2001733-06
 - power supply assy 120/230 VAC, +/-15VDC, P/N Q2001733-14.SP
 - power cord from power supply to MFC, length 1 meter, P/N Q2001733-13
 - RS232C cord from MFC to computer, length 2 meters, P/N Q2001733-11.SP

Part number

Q2001733-12



MFC Connection kit



Connector Conversion Adapters

QUALIFLOW MFC / Connector		Replaced MFC / Connector		Model	Part Number
Analog AFC50/AFM55	D Sub 15 pin	Main MFC's	Card-edge	1	Q2001733-01
Digital all Series	D Sub 15 pin	Main MFC's	Card-edge	1	Q2001733-07
				2	Q2001733-08
Digital all Series	D Sub 15 pin	Analog AFC50/AFM55	D Sub 15 pin	3	Q2001733-09
				4	Q2001733-10
Digital all Series	D Sub 15 pin	Main MFC's	D Sub 15 pin	4	Q2001733-06

0-5V to 4-20mA Conversion Adapters

Qualiflow Analog AFC50/AFM55	Model	Part Number
Qualiflow Analog AFC50/AFM55	3	Q2001733-05
Qualiflow Digital all Series and main MFC's with D Sub 15 pin connector	3	Q2001733-15

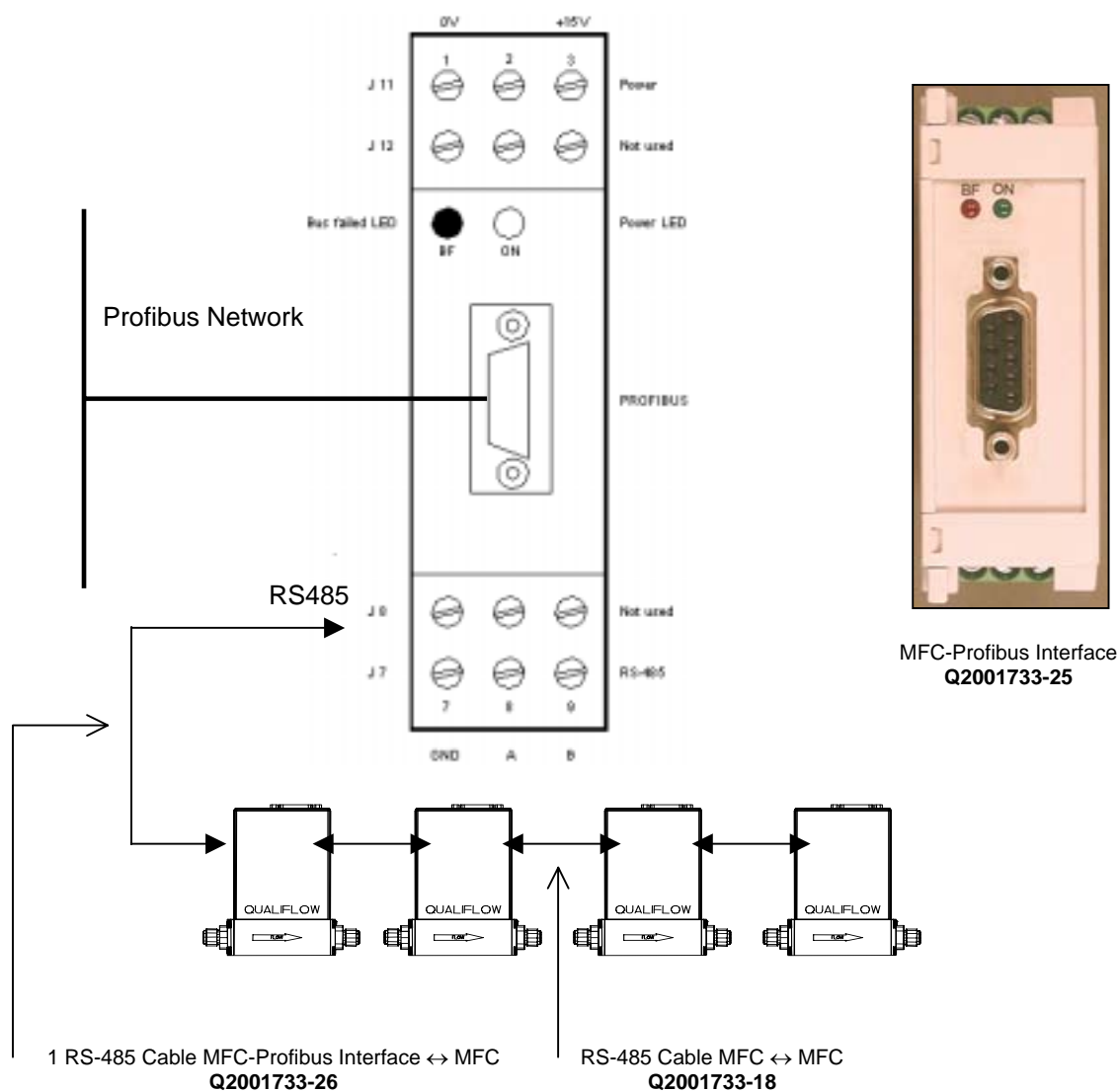
Cords

	Part Number
Connecting cord for Analog AFC50/AFM55 or Digital MFC's all series : - D Sub 15 pin female connector (MFC side), wires at the other end - length 5 meters	2990924Q



MFC-Profibus Interface

www.qualiflow.com



MFC-Profibus Interface
Q2001733-25

MFC-Profibus Interface kit for Digital MFC's all series with RS485/MODBUS

Features

Digital MFCs communicate with host computers using an RS-485 network and Modbus protocol. In order to connect the Digital MFCs to a Profibus network, the MFC-Profibus Interface kit is used :

The kit includes :

- 1 MFC-Profibus Interface
- 3 RS-485 Cables MFC ↔ MFC
- 1 RS-485 Cable MFC-Profibus Interface ↔ MFC

Q2001733-25
Q2001733-18
Q2001733-26

Part Number

MFC-Profibus Interface Kit

9220001

