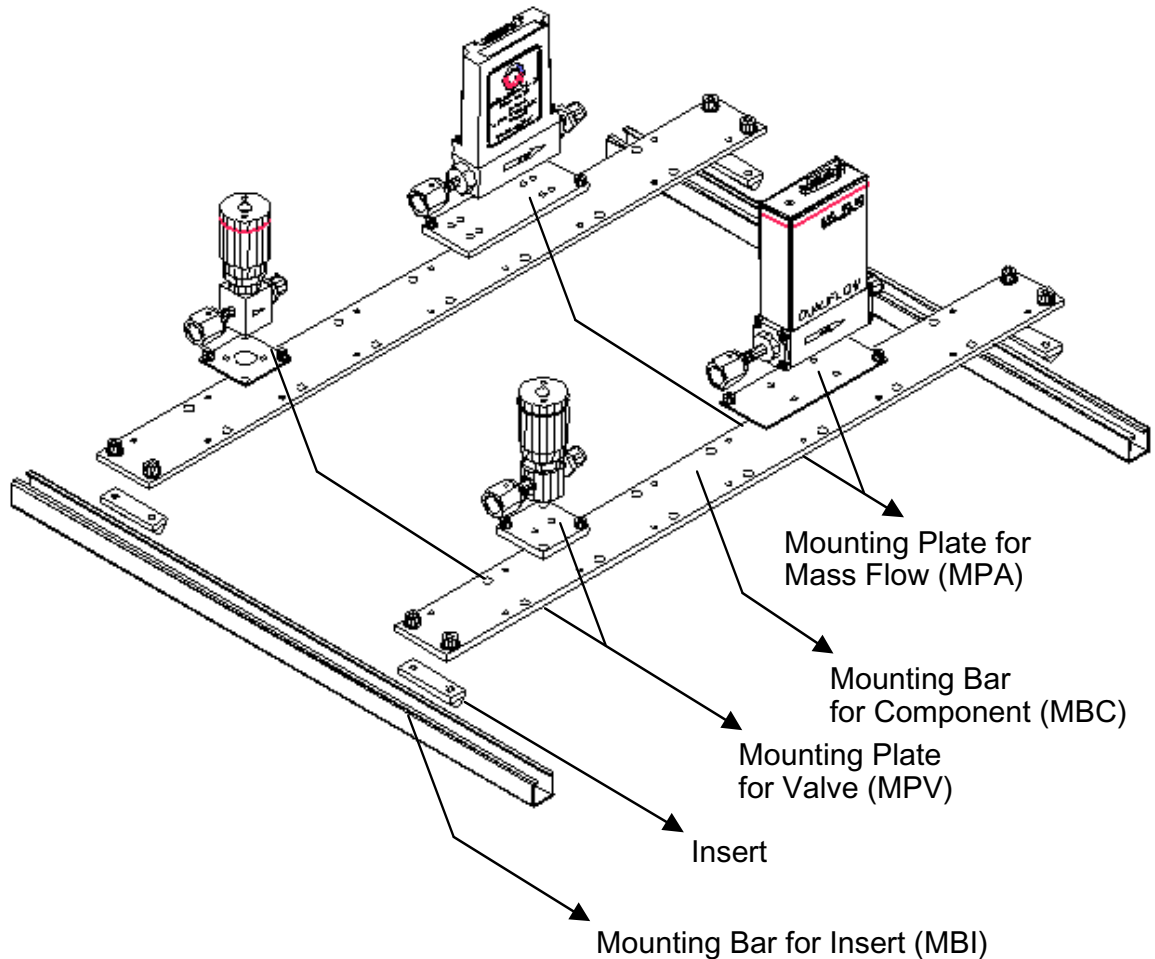


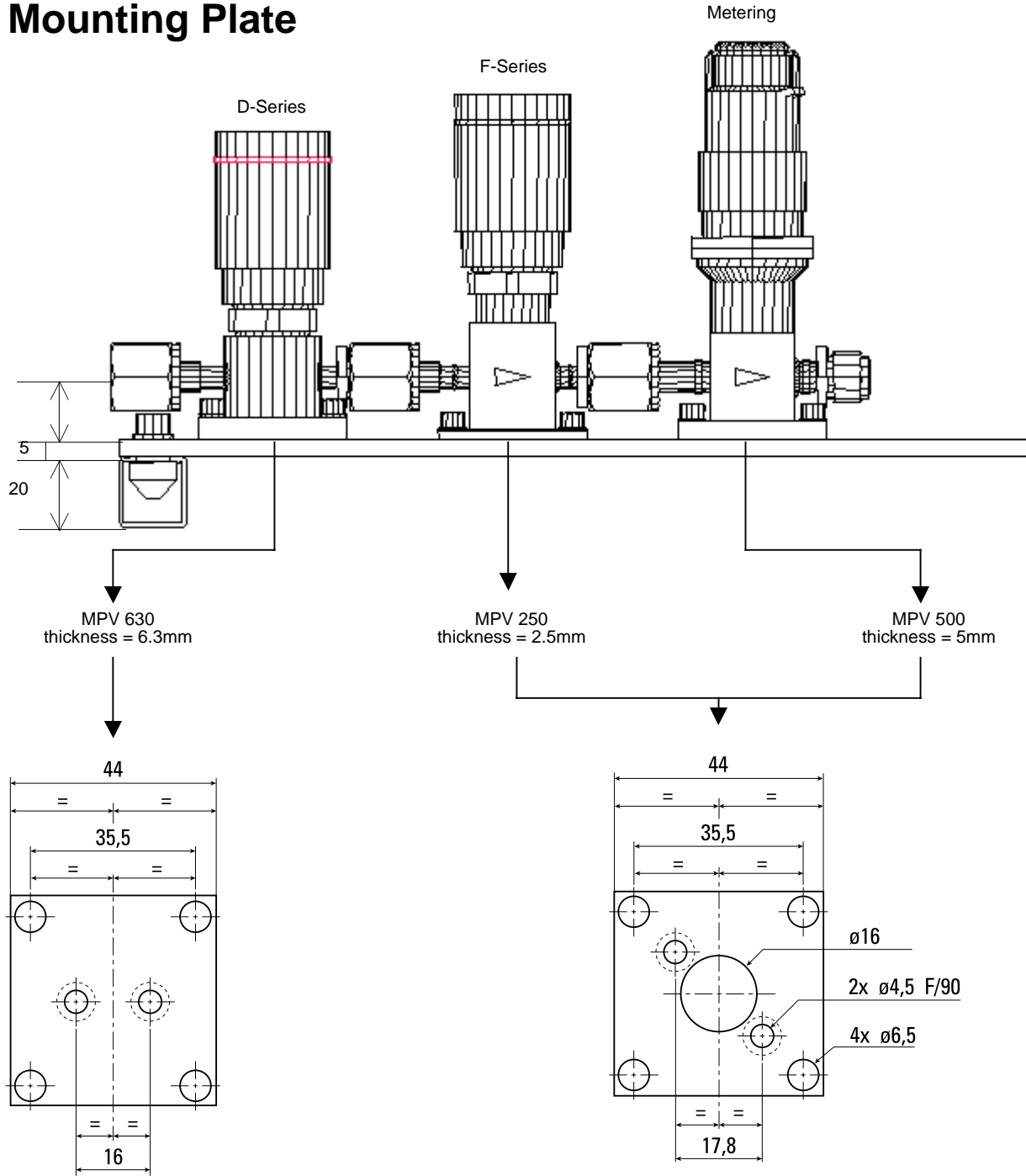


Gas Panel Accessories Mounting Plates & Mounting Bars



Accessories	Part Number	Dimension (mm)	Screws and Bolts
MPA for AFC 260 MPA for AFC 50	Q646700 Q646600	see description on the next page	for each Mounting Plate delivered, included : 2 screws FHC M4 S.S. 2 screws CHC M4 S.S. 2 washers M4 S.S.
MPV for D-Series Valve MPV for F-Series Valve MPV for Metering Valve	Q636900 Q636600 Q636700		
MBC	Q600204100	length = 852 (12 Moduline Pitch) width = 50 thickness = 5	
MBI	7630042	length to define (max. 1800) section = 20X20	
Insert	Q636950		for each Insert delivered, is included : 2 screws CHC M4 S.S. 2 washers M4 S.S.

Valves Accessories Mounting Plate



the catalogue D 00-015 V01

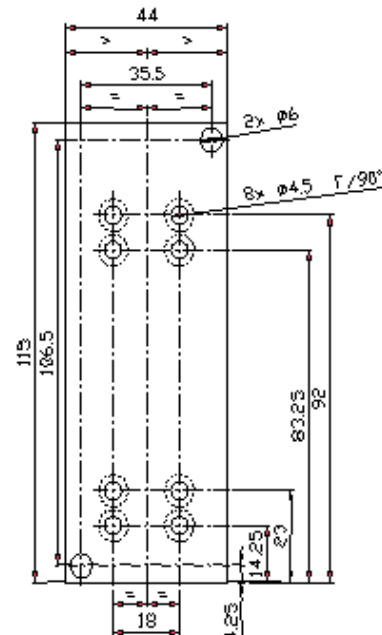
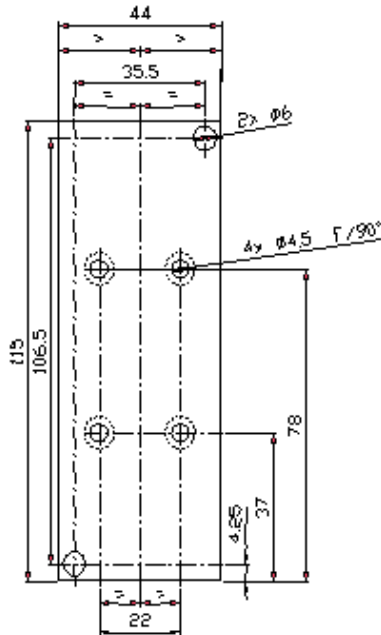
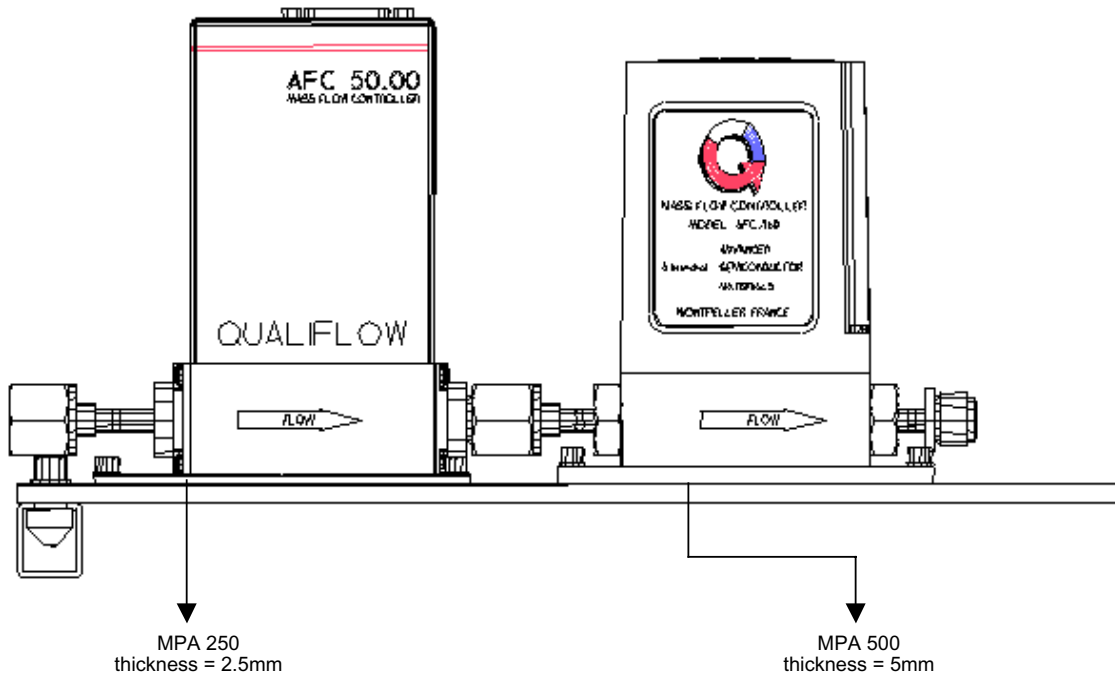
Part Number Description : **Q636 [1]**

[1] - Mounting Plate Type ←

- [600] for MPV 250 (thickness = 2.5 mm)
- [700] for MPV 500 (thickness = 5 mm)
- [900] for MPV 630 (thickness = 6.3 mm)



Mass Flow Accessories Mounting Plate



Part Number Description :

Q646 [1]

[1]- Mounting Plate Type

- [600] for MPA 250 (thickness = 2.5mm)
- [700] for MPA 500 (thickness = 5mm)