



Mass Flow Controller / Meter

AFM 10

AFC & AFM Series

Features

A small flow meter designed to replace rotameter whenever an electrical signal of the flow measurement is required :

- Low cost design, simple construction
- Small footprint
- CE marking, UL upon request
- Accuracy up to $\pm 2\%$ F.S.



Input and Output

Dual.....	+ 15 VDC $\pm 5\%$, 25 mA
.....	-15 VDC $\pm 5\%$, 30 mA
or	
Mono.....	+ 24 VDC, 64 mA
Flow Output Signal.....	from 0 to 5 VDC
.....	or from 4 to 20 mA
Electrical Connector.....	Sub-D 15 pins Male

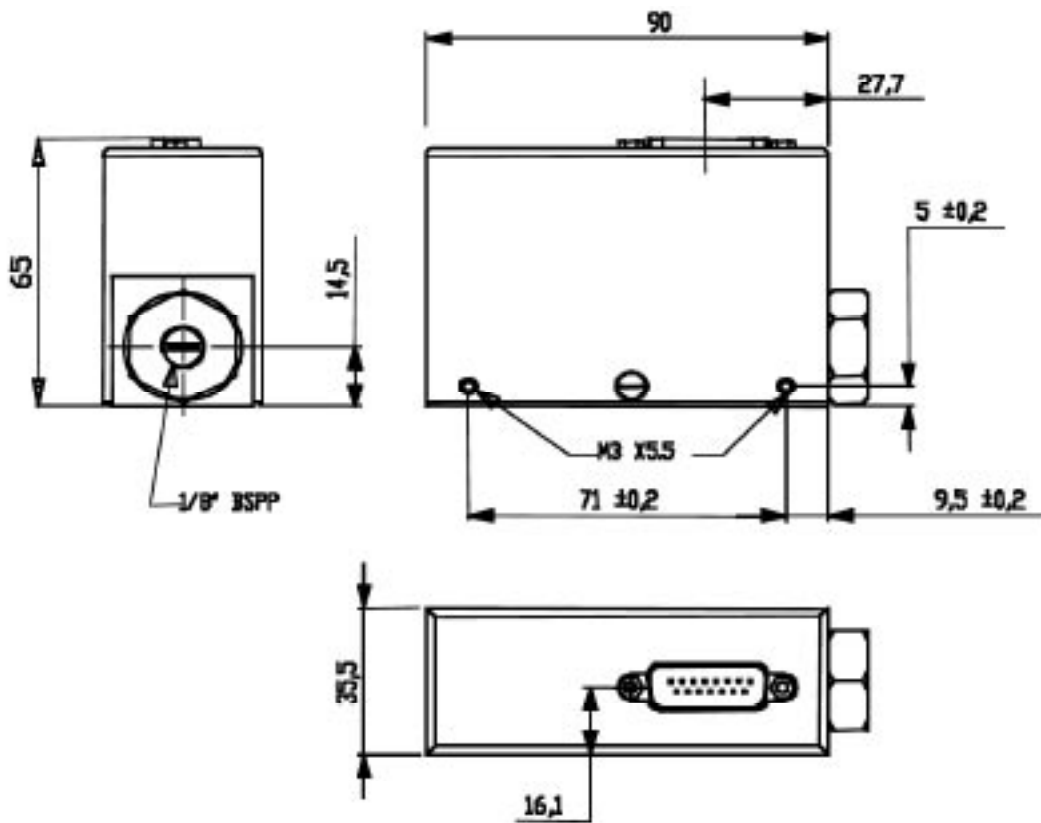
Options

- Power supply +24 VDC
- Output signal 4 to 20 mA
- Optimized accuracy within $\pm 2\%$ of F.S.
- 316L Stainless steel body

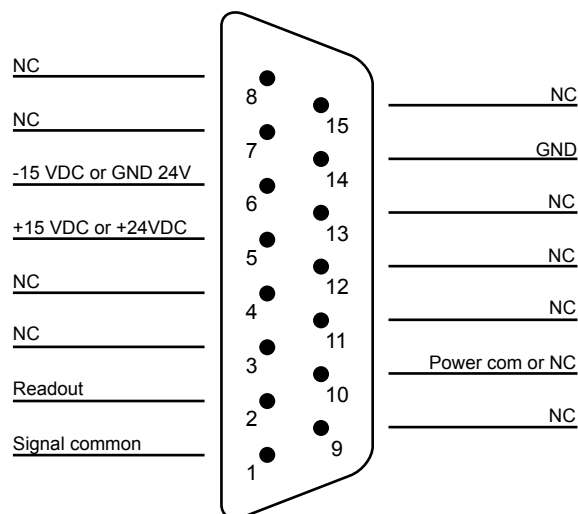
Specifications

Flow Range (equivalent N ₂).....	2 slm to 60 slm
Control Range.....	2 – 100% F.S.
Accuracy.....	$\pm 5\%$ of F.S.
Linearity.....	$\pm 0.5\%$ of F.S.
Repeatability.....	$\pm 0.3\%$ of F.S.
Operating Temperature.....	5-40°C, Non-condensing
Temperature Coefficient.....	< 0.1% F.S./°C
Maximum Inlet Pressure.....	1 MPa (10bar, 150psi)
Minimum Differential Pressure.....	10 kPa (0.1bar, 1.5psi)
Pressure Coefficient.....	< 0.1% F.S./10 ⁵ Pa
Wetted Materials.....	Brass
.....	Aluminium
.....	316L Stainless steel
Leak Integrity.....	< 10 ⁻⁶ atm.scc/sec (He)
Standard Seals.....	Viton
Fittings.....	1/8" BSPP
Weight.....	0.75 Kg

Dimensions



Pinout configuration



Connector 15-pin, type "D", male