



# Mass Flow Controller / Meter

## AFM 11

AFC & AFM Series

### Features

A small flow meter designed to replace rotameter whenever an electrical signal of the flow measurement is required :

- Low cost design, simple construction
- Small footprint
- CE marking, UL upon request
- Accuracy up to  $\pm 2\%$  F.S.

### Input and Output

Dual..... + 15 VDC  $\pm 5\%$ , 25 mA  
 ..... -15 VDC  $\pm 5\%$ , 30 mA  
 or  
 Mono..... + 24 VDC, 64 mA  
 Flow Output Signal..... from 0 to 5 VDC  
 ..... or from 4 to 20 mA  
 Electrical Connector..... Sub-D 15 pins Male

### Options

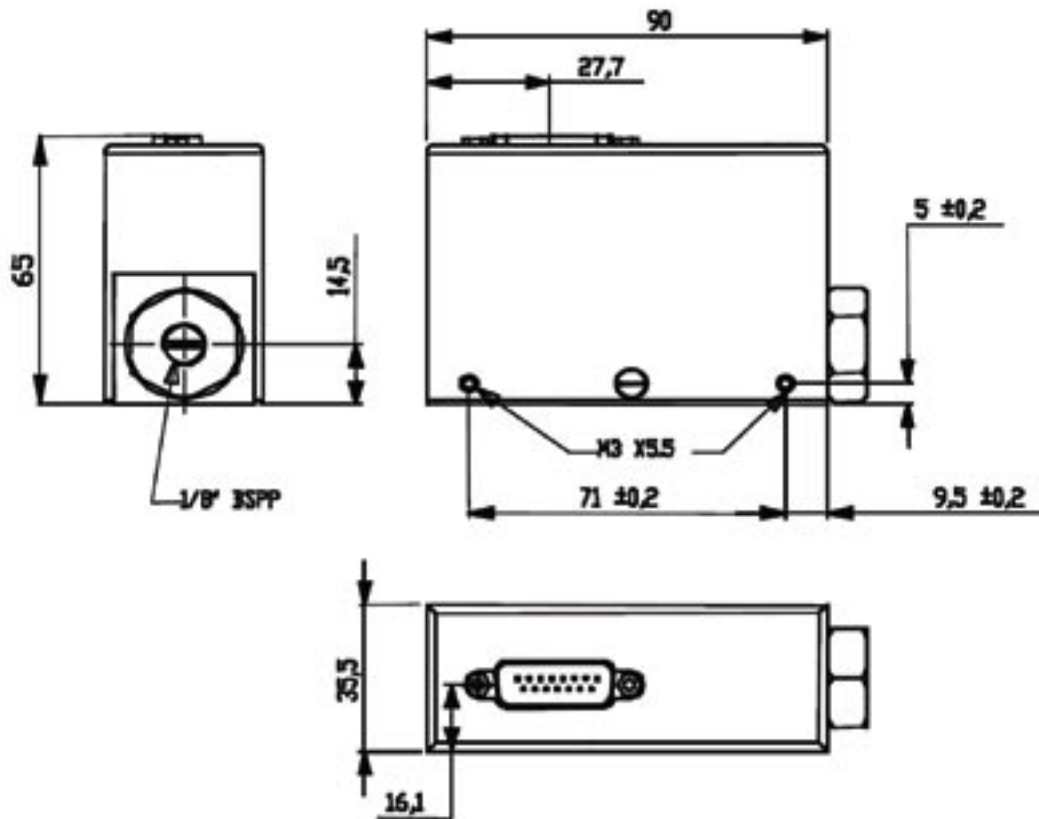
Power supply + 24 VDC  
 Output signal 4 to 20 mA  
 Optimized accuracy within  $\pm 2\%$  of F.S.  
 316L Stainless steel body



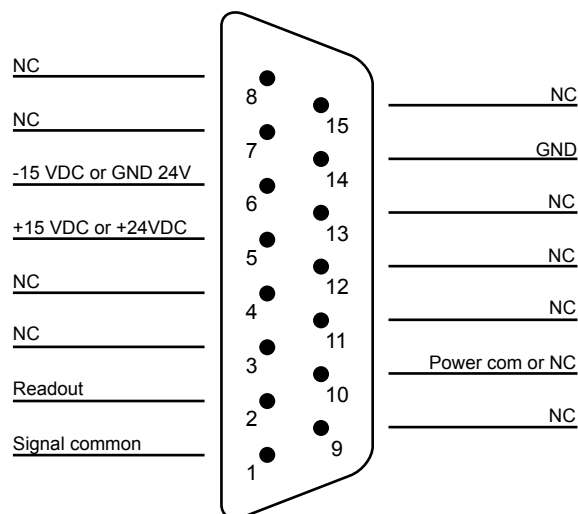
### Specifications

Flow Range (equivalent N<sub>2</sub>)..... 100 slm to 200 slm  
 Control Range..... 2 – 100% F.S.  
 Accuracy.....  $\pm 5\%$  of F.S.  
 Linearity.....  $\pm 0.5\%$  of F.S.  
 Repeatability.....  $\pm 0.3\%$  of F.S.  
 Operating Temperature..... 5-40°C, Non-condensing  
 Temperature Coefficient..... < 0.1% F.S./°C  
 Maximum Inlet Pressure..... 1 MPa (10bar, 150psi)  
 Minimum Differential Pressure..... 10 kPa (0.1bar, 1.5psi)  
 Pressure Coefficient..... < 0.1% F.S./10<sup>5</sup> Pa  
 Wetted Materials..... Brass  
 ..... Aluminium  
 ..... 316L Stainless steel  
 Leak Integrity..... < 10<sup>-6</sup> atm.scc/sec (He)  
 Standard Seals..... Viton  
 Fittings..... 1/8" BSPP  
 Weight..... 0.75 Kg

# Dimensions



# Pinout configuration



Connector 15-pin, type "D", male