



Filter Series

TF25 – Standard Filter



Features

Design

Stainless steel gasket filter and PTFE membrane filtration media.
Various fittings configuration.
Standard Moduline dimensions.
All tube connections are TIG orbital welded.

Materials

Wetted area..... 316L Stainless Steel
Gasket..... Viton®, Teflon®
Rugosity..... electropolished, Ra 0.15µm (6µin)

Verification & Packaging

100% inspection with boroscope.
Vacuum sealed double packaging with N₂ purge.

Ratings

Specifications

Orifice size (internal)..... 4.5 mm (0.177in)

Particle Retention Rate

Particle diameter..... > 0.22µm

Temperature

Operating..... -40°C to 150°C (-40°F to 302°F)

Pressure Rating

Operating..... Vacuum to 200 bar (2900 psi)

Helium Leak Rate

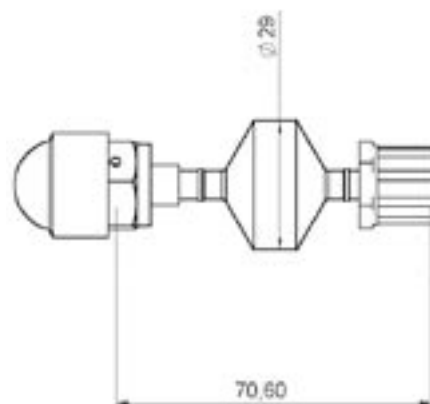
Individually tested..... < 2.10⁻⁹ atm cm³/s

FLOW DATA

Max flow / ΔP

ΔP (bars) N₂ L/mn at 21°C

0.1	2
0.5	6
1	11
2	22





Accessories Series

TF25 Filter

Part Number Description

Q57601 [X] [Y] [Z]

[X] - Fitting Configuration

- [1] Standard Moduline ¼" VCR
- [2] Female ¼" VCR
- [4] Swagelok ¼"
- [5] Swagelok 6mm
- [9] Special configuration, specify [Y] [Z]

[Y] - Inlet Fitting Type

- [B] Female ¼" VCR
- [C] Male ¼" VCR
- [F] Swagelok ¼"
- [G] Swagelok 6mm
- [W] Welded butt end

[Y] - Inlet Fitting Type

- [B] Female ¼" VCR
- [C] Male ¼" VCR
- [F] Swagelok ¼"
- [G] Swagelok 6mm
- [W] Welded butt end