



D-Series

1"1/8 Size – C-Seal Mounting Diaphragm Shut-Off Valve



Features

Body Design

Metal / metal sealing between diaphragm and valve's body.
Extremely low internal volume and wetted area.

Materials

Body..... 316L VAR Stainless Steel
Q+ Process..... electropolished, Ra 0.15 μm (6 μin)
Diaphragm..... NiCo Alloy (Elgiloy®)
Seat..... PCTFE (Voltalet®)

Actuator Design

Pneumatic NO or NC actuators.
Permanent color identification for NO or NC.
Grey anodized actuator in aluminum.
Actuator O-ring in Viton®.

Verification & Packaging

100% inspection with boroscope.
Warranty and leak test certificate.
Vacuum sealed double packaging with N₂ purge.

Ratings

Specifications

Flow coefficient..... Cv=0.2

Temperature

Operating..... -10°C to 60°C (14°F to 95°F)

Pressure Ratings

Valve..... Vacuum to 10 bar (145 psi)
Pneumatic operator..... 5–7 bar (72–100 psi)

Valve Life Expectancy

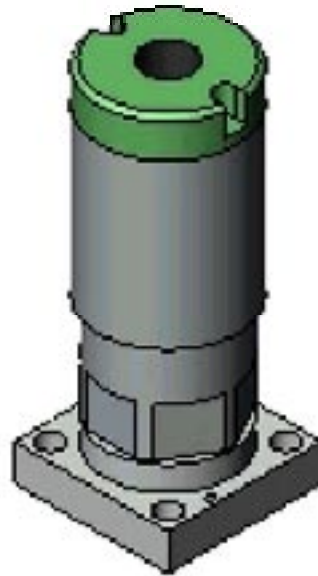
Over 2,000,000 cycles with non-corrosive gases.

Helium Leak Rate

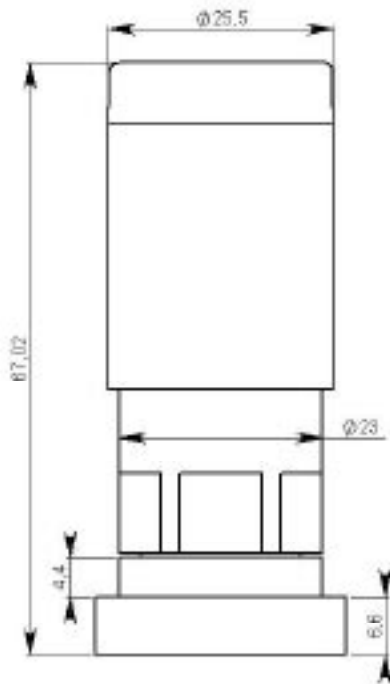
External..... < 5.10⁻¹⁰ atm cm³/s
Across seat..... < 2.10⁻⁹ atm cm³/s

Dimensions (mm)

1"1/8 Size, C-Seal surface mounting D-series Diaphragm Shut-Off Valve



FRONT FACE



MOUNTING DIMENSIONS

